

EPSON®

Transparency Unit

B813021/B813022

GT80FLU

for EPSON image scanner

GT-6500

GT-8000

ES-600C

English

Deutsch

Français

Español

Italian

日本語

All rights reserved. No part of this publication may be reproduced, stored in a retrieval system, or transmitted in any form or by any means, mechanical, photocopying, recording, or otherwise, without the prior written permission of Seiko Epson Corporation. No patent liability is assumed with respect to the use of the information contained herein. While every precaution has been taken in the preparation of this manual, Seiko Epson Corporation assumes no responsibility for errors or omissions. Neither is any liability assumed for damages resulting from the use of the information contained herein.

Neither Seiko Epson Corporation nor its affiliates shall be liable to the purchase of this products or third parties for damages, losses, costs, or expenses incurred by purchaser or third parties as a result of accident, misuse, or abuse of this product or unauthorized modifications, repairs, or alterations to this product, or (excluding the US) failure to strictly comply with Seiko Epson Corporation's operating and maintenance instructions.

Seiko Epson Corporation shall not be held liable against any damage or problems arising from the use of any options other than those designated as Original Epson Products or Epson Approved Products by Seiko Epson Corporation.

Epson is a registered trademark of Seiko Epson Corporation.

Copyright © 1992 by Seiko Epson Corporation, Nagano, Japan

EPSON



Transparency Unit

for use with EPSON Scanners

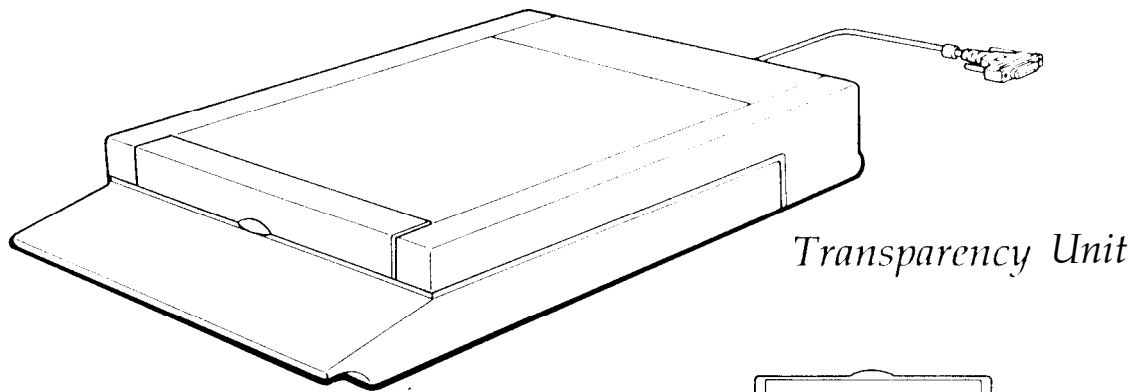
B813021/B813022



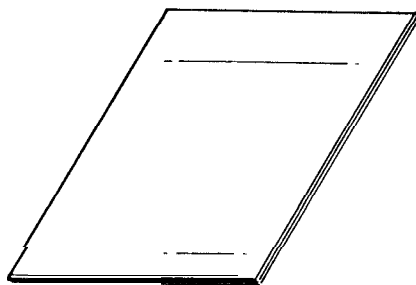
This transparency unit is a high-quality device developed to enable Epson Scanner owners to scan transparencies and slides. By installing this unit on your Epson scanner, you can scan transparencies and slides beautifully, in full color. Also, it is not necessary to remove this unit if you wish to return to scanning normal reflective (paper) documents.

Unpacking the Unit

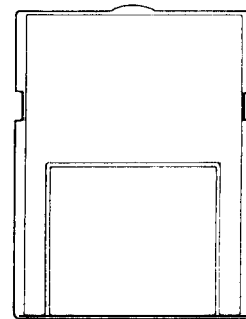
When you first open the package, make sure that all the following items are included and that none has been damaged during shipping. Contact your Epson dealer if any item is missing or damaged.



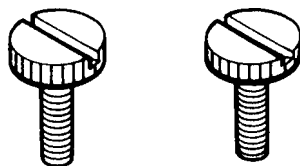
Transparency Unit



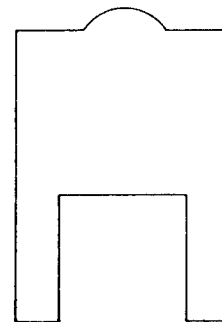
User's Guide



Reflective Document Mat



Screws (2)

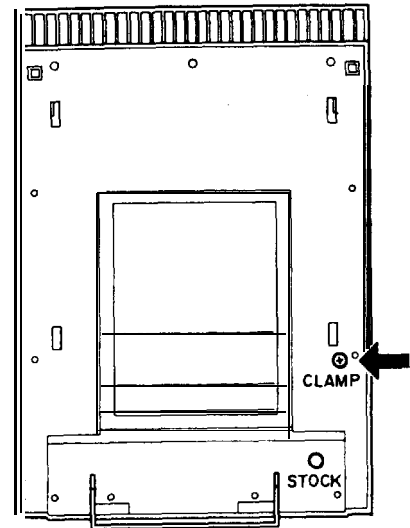
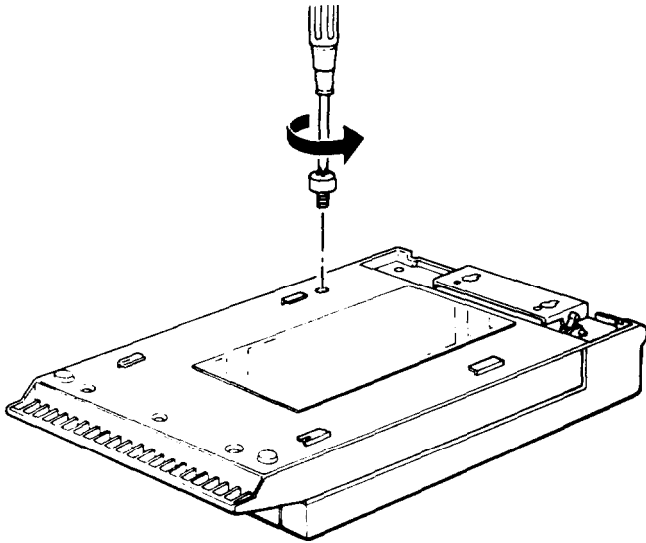


Transparency Document Guide

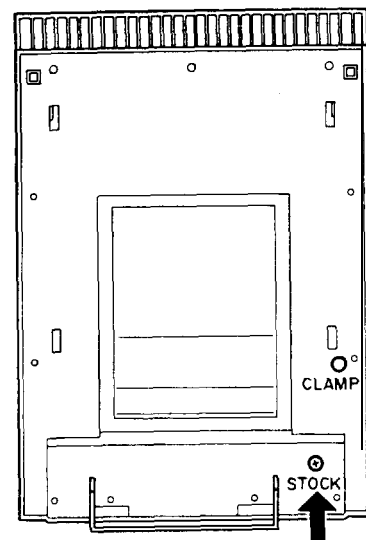
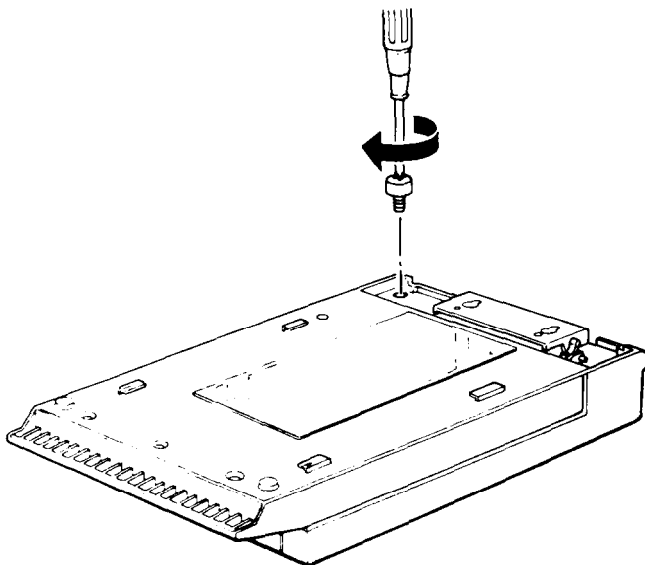
Removing the Shipping Screw

To prevent damage during shipping a shipping screw is attached to the transparency unit. Make sure this screw is removed according to the following steps before you attempt to use this unit.

1. Turn the unit so the glass side faces up.
2. Remove the screw from the position shown below.



3. Insert the screw you just removed into the storage-hole in the position shown.

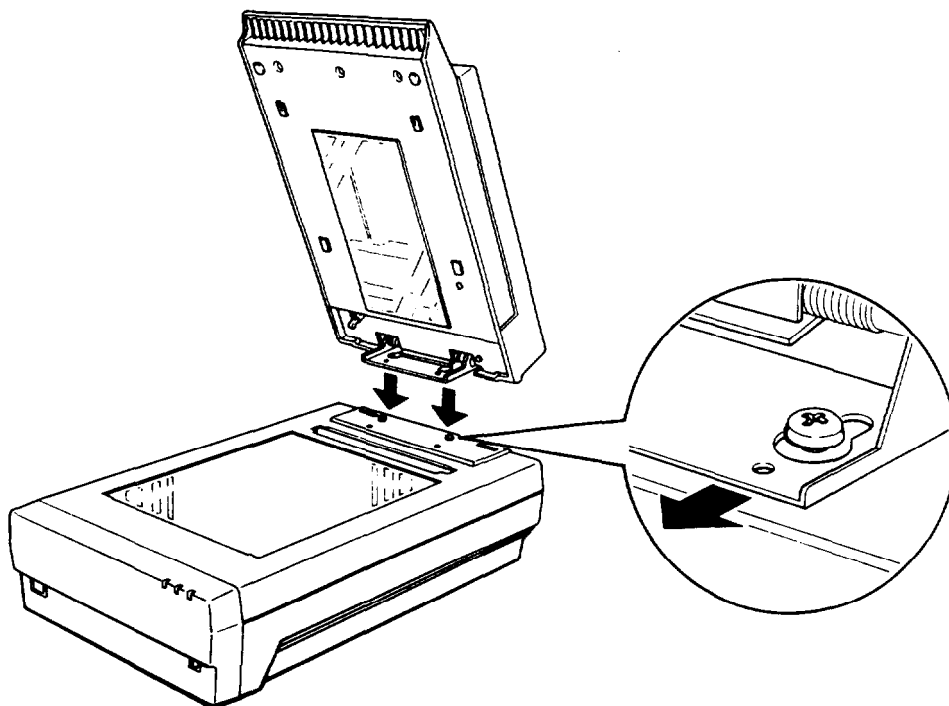


- Note:**
- Keep the shipping screw in a safe place; you will need it if you should need to transport the scanner. When transporting the scanner, you should remove the transparency unit and reattach the shipping screw.
 - If the unit's lamp assembly is not in its initial position, you cannot attach the shipping screw. If this happens, reattach the unit to the scanner, close the unit, and turn the scanner on; the unit's lamp assembly then returns to its initial position. Then turn off the scanner and remove the transparency unit.

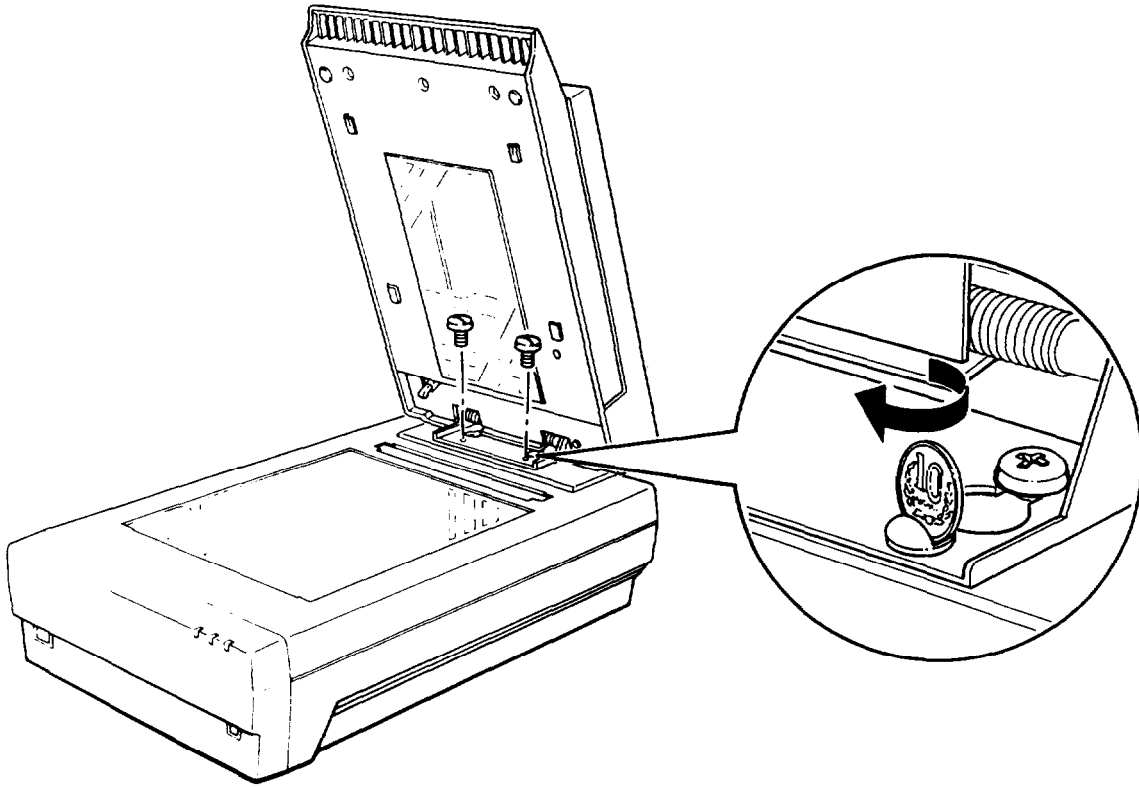
Installing the Transparency Unit on the Scanner

Follow the steps below to install the transparency unit on the scanner.

1. Make sure the scanner's power switch is turned off and remove the power cable from the scanner.
2. Remove the document cover from the scanner.
3. The scanner comes with two mounting screws attached; slide the mounting slots on the transparency unit forward underneath these two screws.

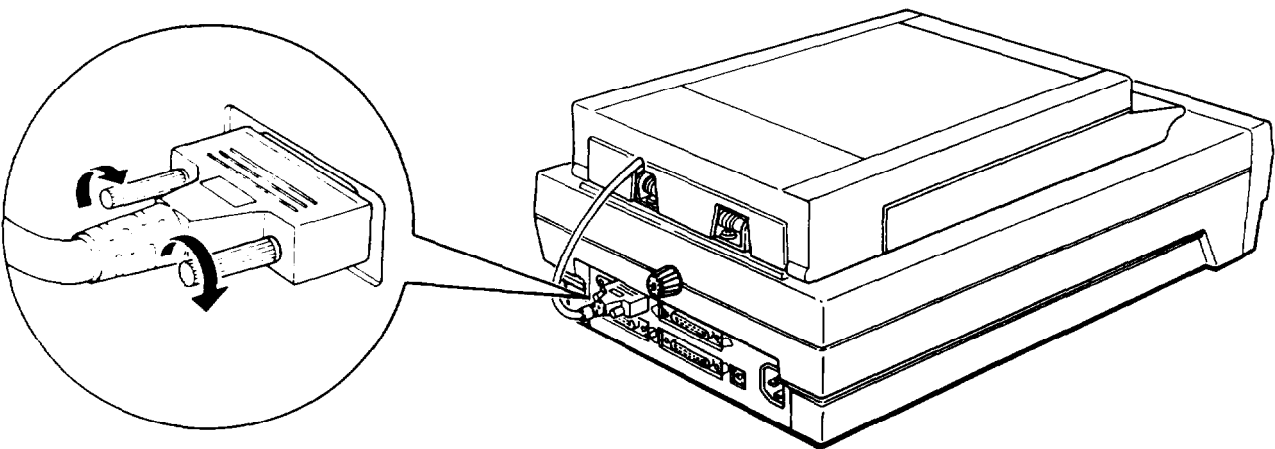


4. Use a coin to tighten the two screws and secure the transparency unit.



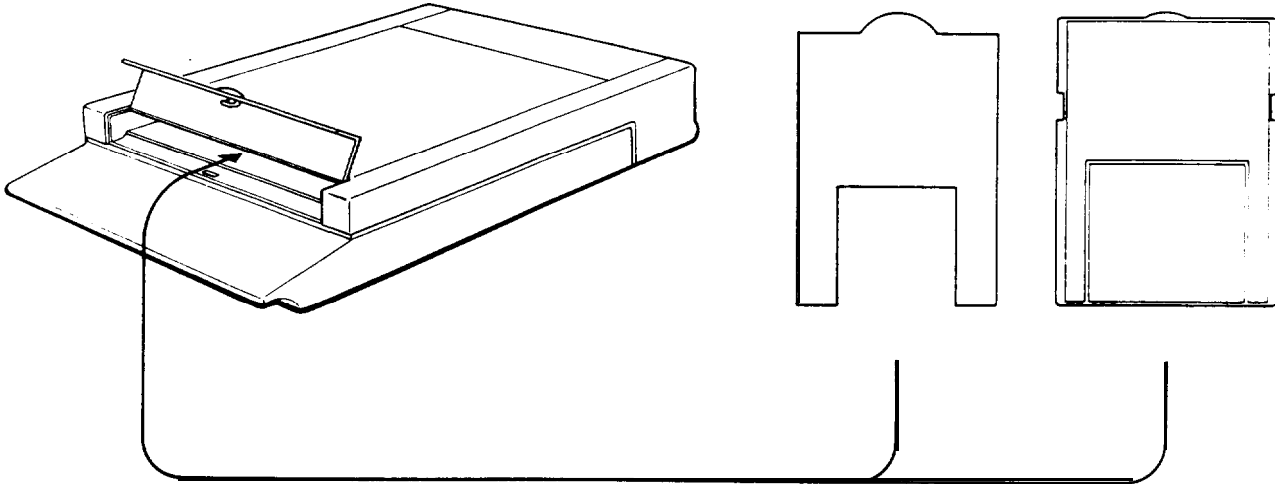
5. Close the transparency unit.

6. Connect the transparency unit's connector to the option connector on the scanner.



Transparency Document Guide and Reflective Document Mat

A transparency document guide and reflective document mat are included with this unit. Use as necessary.



Positioning Transparencies

You can scan the transparency types shown below:

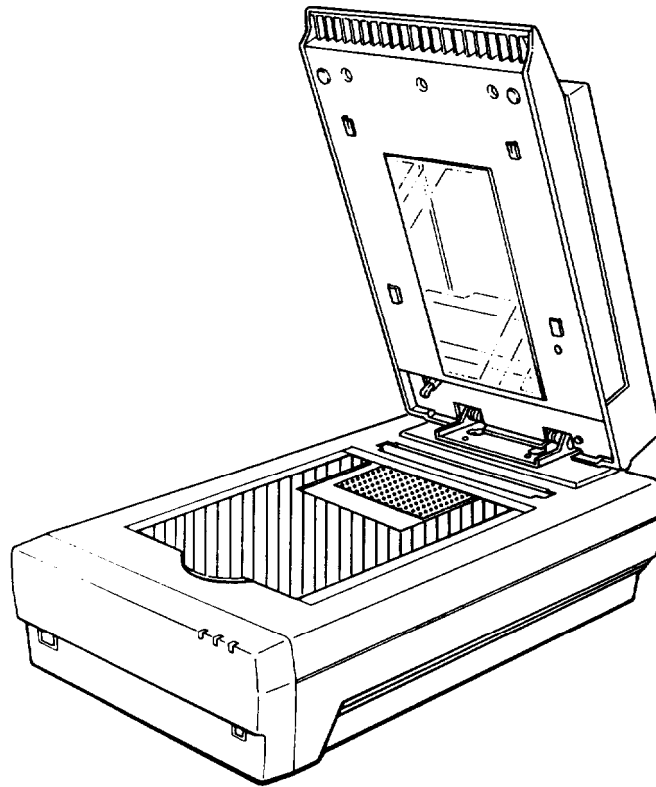
Document type Transparency documents (including slide film) in color or monochrome

Scanning size Up to 5 x 5 inches (127 x 127 mm)

- Note:**
- Wipe the glass of the transparency unit, the scanner's document table, and the narrow window near the mounting bracket before scanning transparencies.
 - Your scanner software automatically handles the operation of the transparency unit.

Position transparency documents according to the steps below.

1. Open the transparency unit.
2. Place the transparency document guide on the scanner's document table.
3. Using the transparency document guide, place the transparency document face down on the scanner's glass document table. Align the transparency document with the upper right-hand corner of the transparency document guide.



4. Close the unit. If the reflective document mat is in place, remove it from the transparency unit.

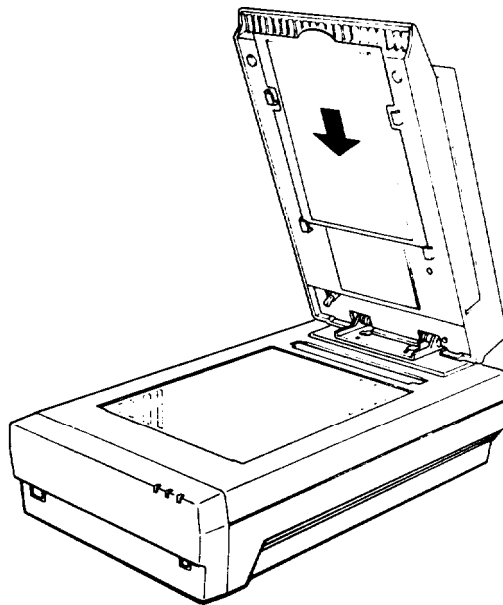
Note: Make sure the unit is completely closed. If it is not closed, an option error results and you cannot scan the document.

Scanning Normal (Reflective) Documents

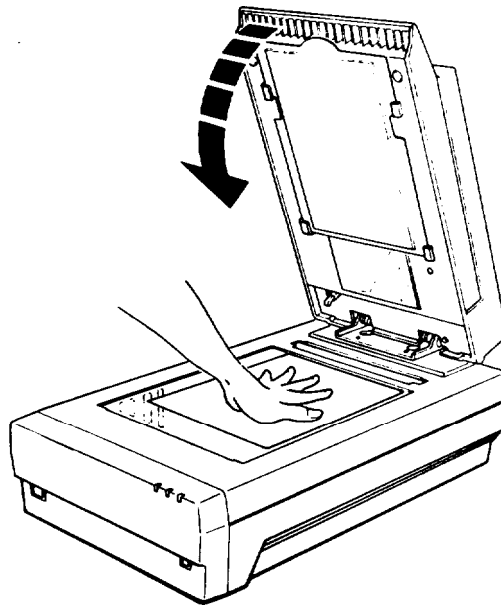
When you return to scanning normal reflective documents, you should always insert the reflective document mat included with this unit. Also, make sure you remove the transparency document guide from the scanners document table.

Insert the reflective document mat as described below.

1. Open the transparency unit.
2. Insert the reflective document mat.



3. Position the reflective document and close the unit.



To remove the reflective document mat, lift up on the mat and pull it out of the transparency unit.

EPSON OVERSEAS MARKETING LOCATIONS

EPSON AMERICA, INC.

20770 Madrona Ave.
P.O. Box 2842
Torrance, CA 90509-2842
Phone: (800) 922-8911
Fax: (310) 782-5220

EPSON UK LTD.

Campus 100, Maylands Avenue,
Hemel Hempstead, Herts,
HP2 7EZ, U.K.
Phone: 442-6 1144
Telex: 5 182467

EPSON DEUTSCHLAND GmbH

Zülpicher Straße 6,
4000 Düsseldorf 11 F.R. Germany
Phone: (02 11) 56030
Telex: 8584786

EPSON FRANCE S.A.

68 bis, rue Marjolin
92300, Levallois-Perret, France
Phone: (1) 4087-3737
Telex: 6 10657

EPSON AUSTRALIA PTY. LTD.

Unit 3, 17 Rodborough Road,
Frenchs Forest, NSW 2086, Australia
Phone: (2) 452-0666
Fax: (2) 975-1409

EPSON SINGAPORE PTE. LTD.

No. 1 Raffles Place #26-00
OUB Centre, Singapore 0104
Phone: 5330477
Fax: 5338 119

EPSON HONG KONG LTD.

25/F, Harbour Centre,
25 Harbour Road, Wanchai,
Hong Kong
Phone: 5854600
Telex: 65542

**EPSON ELECTRONICS TRADING LTD.
(TAIWAN BRANCH)**

10F, No. 287 Nanking E. Road, Sec. 3,
Taipei, Taiwan, R.O.C.
Phone: (02) 7 17-7360
Fax: (02) 7 12-9 164

EPSON ITALIA S.p.A.

V.le F.lli Casiraghi 427
20099 Sesto S.Giovanni
MI, Italy
Phone: 2-26233 1
Fax: 2-2440750

EPSON IBERICA S.A.

Av. de Roma, 18-26
08290 Cerdanyola del Valles
Barcelona, Spain
Phone: 582.15.00
Fax: 582.15.55

**SEIKO EPSON CORPORATION
(Hirooka Office)**

80 Harashinden, Hirooka
Shiojiri-shi, Nagano-ken
399-07 Japan
Phone: (0263) 52-2552